



3-Wheel Pneumatic Forklift 3500lbs CPD18TVL



- Reduced Footprint indoor / outdoor, compact 3-wheel forklift
- EP 230Ah 80V Battery and on-board charger. Also available for external charging up to 100A
- Integral Charger allows for both 120 and 240vac connection for convenience
- Powerful dual-drive AC traction motors, designed for sustained partial/occasional charge environments
- Spacious legroom for operator comfort and fatigue reduction
- Ergonomic forward design with adjustable steering wheel and bucket seat

Manufacturer			EP
Model designation			CPD18TVL
Drive			Electric
Base capacity	Q	lb.	3500
Load center distance	c	in.	24
Service weight		lb.	7645
Collapsed Height	h1	in.	88.2
Maximum fork height	h3	in.	189
Height, mast extended with Std. LBR	h4	in.	230
Length to face of forks	l2	in.	75.3
Overall width	b1/b2	in.	43.3
Fork dimensions	s/e/l	in.	1.6X3.9X42.1
Turning radius	Wa	in.	61
Travel speed, loaded/unloaded		mph	8/8.7
Lifting speed, loaded/unloaded		fpm	65/88.6
Lowering speed, loaded/unloaded		fpm	78.7/86.6
Max. gradeability, loaded/unloaded		%	10/15
Drive motor rating S2 60 min		HP	5.0x2
Battery voltage/nominal capacity		V/Ah	80V230Ah

FEATURES

■ 80 Volt System Offering Powerful Performance

The 80 Volts dual drive motors offer higher power efficiency than regular 48V, thus the TVL has greatly enhanced its productivity of 6 working hours per charge.



■ Large Workspace

Due to the compact size of EP lithium battery and the ergonomic configuration of the control levers and the foot brake pedal, the small truck offers spacious legroom of 15.5 inches and delivers the best in operation comfort.



■ Compact Truck Size

The CPD18TVL features a small turning radius of 61 inches, which makes it a perfect workhorse for small warehouses with narrow aisles within 11.5 ft.



■ Integrated Charger

The CPD18TVL forklift comes with a EP Li-Ion battery and a 35A single phase integrated charger with 16 amp plug allowing the truck to be charged at any power outlets. The Li-ion battery and the advantage of onboard charging make it ideal for forklift rental business.



3-Wheel Pneumatic Forklift 3500lbs

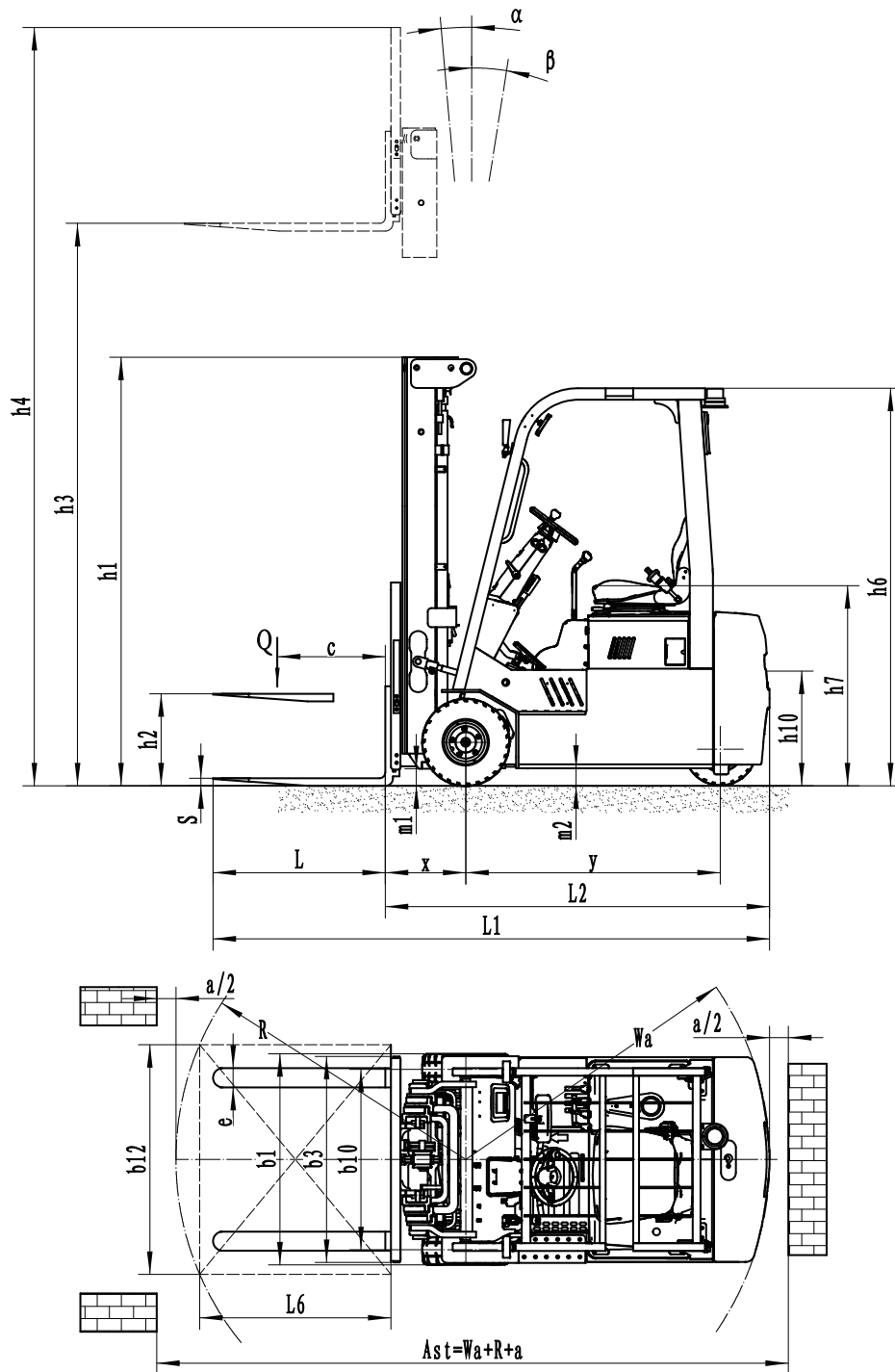
CPD18TVL

Distinguishing mark	1.1	Manufacturer			EP	EP
	1.2	Model designation			CPD18TVL	CPD18TVL
	1.3	Drive			Electric	Electric
	1.4	Operator type			Seated	Seated
	1.5	Base capacity	Q	lb.	3500	3500
	1.6	Load center distance	c	in.	24	24
	1.8	Load distance, center of drive axle to fork	x	in.	16.6	16.6
	1.9	Wheelbase	y	in.	52.4	52.4
	Service weight	2.1	Service weight		lb.	7645
2.2		Axle loading, loaded front/rear		lb.	9713/1438	9235/1303
2.3		Axle loading, unloaded front/rear		lb.	3707/3938	3740/3938
Tires/chassis	3.1	Tire type			Solidrubber	Solidrubber
	3.2	Tire size, front			18X7-8	18X7-8
	3.3	Tire size, rear			15X4.5-8	15X4.5-8
	3.5	Wheels, number front/rear (x=drive wheels)		in.	2X/2	2X/2
	3.6	Tread width, front	b ₁₀	in.	37.1	37.1
	3.7	Tread width, rear	b ₁₁	in.	6.9	6.9
Dimensions	4.1	Tilt of mast/fork carriage forward/backward	α/β	°	6/6	6/6
	4.2	Collapsed Height	h ₁	in.	88.2	90.7
	4.3	Free lift	h ₂	in.	47.8	50.4
	4.4	Maximum fork height	h ₃	in.	189	197
	4.5	Height, mast extended with Std. LBR	h ₄	in.	230	238
	4.7	Height of overhead guard (cabin)	h ₆	in.	81.8	81.8
	4.8	Seat height/standing height	h ₇	in.	41.7	41.7
	4.12	Tow coupling height	h ₁₀	in.	23.6	23.6
	4.19	Overall length	l ₁	in.	111.5	111.5
	4.20	Length to face of forks	l ₂	in.	75.3	75.3
	4.21	Overall width	b ₁ /b ₂	in.	43.3	43.3
	4.22	Fork dimensions	s×e×l	in.	1.6x3.9x42.1	1.6x3.9x42.1
	4.23	A,B Fork carriage class/type A, B			2A	2A
	4.24	Fork carriage width	b ₃	in.	40.9	40.9
	4.31	Ground clearance, laden, below mast	m ₁	in.	3.5	3.5
	4.32	Ground clearance, center of wheelbase	m ₂	in.	3.6	3.6
	4.34.1	Right Angle Stack (x +wa)	Ast	in.	77.6	77.6
	4.34.2	Minimum Aisle Width (Right Angle Stack + Load Length + Clearance)	Ast	in.	137.6	137.6
	4.35	Turning radius	Wa	in.	61	61
Performance data	5.1	Travel speed, laoded/unloaded		mph	8/8.7	8/8.7
	5.2	Lifting speed, laoded/unloaded		fpm	65/88.6	65/88.6
	5.3	Lowering speed, laoded/unloaded		fpm	78.7/86.6	78.7/86.6
	5.8	Max. gradeability, laoded/unloaded		%	10/15	10/15
	5.10	Service brake			Hydraulic	Hydraulic
	5.11	Parking brake			Mechanical	Mechanical
Electric-engine	6.1	Drive motor rating S2 60 min		kW	5.0X2	5.0X2
	6.2	Lift motor rating at S3 15%		kW	11	11
	6.4	Battery voltage/nominal capacity		V/Ah	80V/230Ah	80V/230Ah
	6.5	Battery weight		lb.	485 min	485 min
	6.6	Energy consumption according to DIN EN 16796		kWh/h	4.48 ¹⁾	4.48 ¹⁾
	6.7	Turnover output according to VDI 2198		lb/h	108	108
	6.8	Turnover efficiency according to VDI 2198		lb/kWh	24.11	24.11
	8.1	Type of drive control			AC	AC
Additional data	10.1	Operating Pressure for Attachments		PSI	2750	
	10.5	Steering design			Hydraulic	Hydraulic
	10.7	Sound pressure level at the driver's ear		dB(A)	70	70
	15.1	Charger output current		A	15, 35, 100	15, 35, 100

If there are improvements of technical parameters or configurations, no further notice will be given.

The diagram shown may contain non-standard configurations.

Minimum Aisle Width uses 48" for load length and 12" for Clearance.



Mast Options

Mast types	Maximum Fork Height (h3)	Mast Dimensions			Free Lift(h2)	
		Collapsed Height(h1)	Extended Height(h4)		No LBR	W/ STD. LBR
			No LBR	W/ STD. LBR		
in	in	in	in	in	in	
3-Free Mast	189	88.2	218.1	230.5	60.2	47.8
	197	90.7	226	238.4	62.8	50.4