

End-Control Rider Pallet Truck 4,400lbs



EPL202



- Integrated 205Ah 24V lithium battery and 120vac integrated charger
- Power steering standard
- AC drive motor and Zapi controls
- Electromagnetic brake
- Low profile fork assembly with multiple fork sizes available
- 5 Year Warranty on Lithium Battery

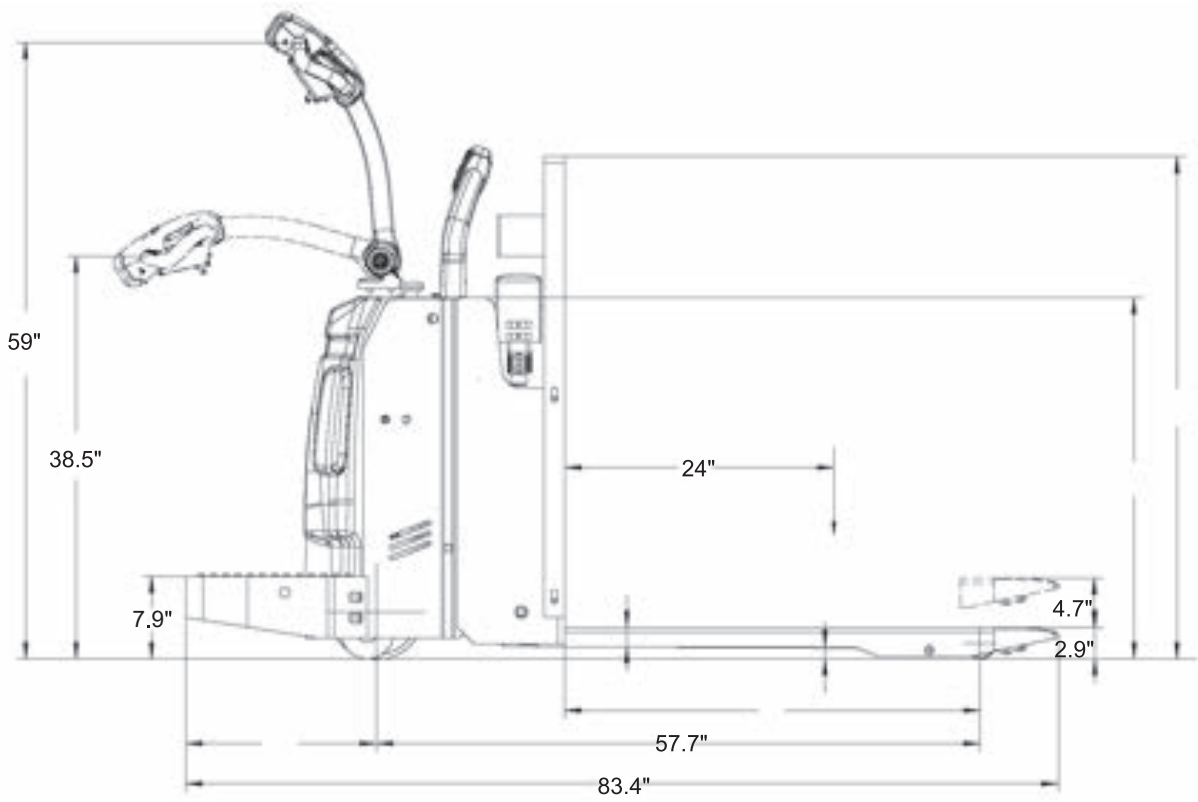
Manufacturer			EP
Model designation			EPL202
Drive			Electric
Base capacity	Q	lb.	4400
Load center distance	c	in.	24
Service weight		lb.	1433
Length to face of forks	l2	in.	36.22
Overall width	b1/b2	in.	22(27)
Fork dimensions	s/e/l	in.	22x26 / 22x48 / 27x36 / 27x48
Turning radius	Wa	in.	75.91
Max. gradeability, loaded/unloaded		%	6/16
Battery voltage/nominal capacity		V/Ah	24V/205Ah Li-ion

End-Control Rider Pallet Truck 4,400lbs

EPL202

Distinguishing mark	1.1	Manufacturer				EP
	1.2	Model designation				EPL202
	1.3	Drive				Electric
	1.4	Operator type				Standing
	1.5	Base capacity	Q	lb.		4400
	1.6	Load center distance	c	in.		24
	1.8	Load distance, center of drive axle to fork	x	in.		39.69
	1.9	Wheelbase	y	in.		57.72
	Service weight	2.1	Service weight		lb.	
2.2		Axle loading, loaded front/rear		lb.		2317/3527
2.3		Axle loading, unloaded front/rear		lb.		1168/265
Tires/chassis	3.1	Tire type				Polyurethane
	3.2	Tire size, front				9.06*2.95
	3.3	Tire size, rear				2.91*2.56
	3.4	Additional wheels (castor wheels)		in.		5.12*2.17
	3.5	Wheels, number front/rear (x=drive wheels)		in.		1x+2/4
	3.6.1	Tread width, front	b ₁₀	in.		20.63
	3.7.1	Tread width, rear	b ₁₁	in.		19.49
Dimensions	4.4	Lift height stroke	h ₃	in.		4.72
	4.9	Height of tiller handle in drive position min./max.	h ₁₄	in.		38.50/59.06
	4.15	Lowered height	h ₁₃	in.		2.99
	4.19	Overall length	l ₁	in.		83.39
	4.20	Length to face of forks	l ₂	in.		36.22
	4.21	Overall width	b ₁ /b ₂	in.		22(27)
	4.22	Fork dimensions		in.		22x26 / 22x48 / 27x36 / 27x48
	4.25	Fork spread	b ₅	in.		26.97
	4.32	Ground clearance, center of wheelbase	m ₂	in.		1.18
4.35	Turning radius	Wa	in.		75.91	
Performance data	5.1	Travel speed, loaded/unloaded		mph		4.97/4.97
	5.2	Lifting speed, loaded/unloaded		fpm		9.8/10.6
	5.3	Lowering speed, loaded/unloaded		fpm		13.2/10.6
	5.8	Max. gradeability, loaded/unloaded		%		6/16
	5.10	Service brake				Electromagnetic
Electric-engine	6.1	Drive motor rating S2 60 min		kW		2.15
	6.2	Lift motor rating at S3 15%		kW		2.95
	6.4	Battery voltage/nominal capacity		V/Ah		24V/205Ah Li-ion
	6.5	Battery weight		lb.		331
Drive/lift mechanism	8.1	Type of drive control				AC
	10.5	Steering design				Electronic
	10.7	Sound pressure level at the driver's ear		dB(A)		74
	15.1	Charger output current		A		

If there are improvements of technical parameters or configurations, no further notice will be given.
The diagram shown may contain non-standard configurations.



75.9" Turning Radius

