



Electric Performance Walkie Reach Stacker 3,000lbs CQE15S



- Pantograph extends forks beyond straddle legs
- Ergonomic controls with Power Steering and Side-shift standard
- Offset tiller handle provides excellent line of sight for operators
- Lifting heights up to 189"
- Wide variety of battery options AGM, Flooded, Lithium

Manufacturer			EP	EP
Model designation			CQE15S	CQE15S
Drive			Electric	Electric
Base capacity	Q	lb.	3000	3000
Load center distance	c	in.	24	24
Service weight		lb.	4090	4530
Maximum fork height	h3	in.	126	157
Height, mast extended with Std. LBR	h4	in.	162.8	195.25
Length to face of forks	l2	in.	46.6	46.6
Overall width	b1/b2	in.	42/50	50
Fork dimensions	s/e/l	in.	1.5x4x42	1.5x4x42
Reach distance	l4	in.	23	23
Turning radius	Wa	in.	62.6	62.6
Max. gradeability, loaded/unloaded		%	6/10	6/10
Travel speed, loaded/unloaded		mph	3.1/3.4	3.1/3.4
Lifting speed, loaded/unloaded		fpm	20/26	20/26
Lowering speed, loaded/unloaded		fpm	52/33	52/33
Reaching speed, loaded/unloaded		fpm	1/15	1/15
Drive motor rating S2 60 min		HP	4.4	4.4
Battery voltage/nominal capacity		V/Ah	24V/170Ah, 24V/205Ah Li-ion 24V/224Ah AGM 24V/255Ah, 24V/510Ah Lead acid	24V/170Ah, 24V/205Ah Li-ion 24V/224Ah AGM 24V/255Ah, 24V/510Ah Lead acid

FEATURES



■ Pantograph Reach

The CQE15S enables reaching of double deep pallet positions.

■ Ergonomic Control Handle

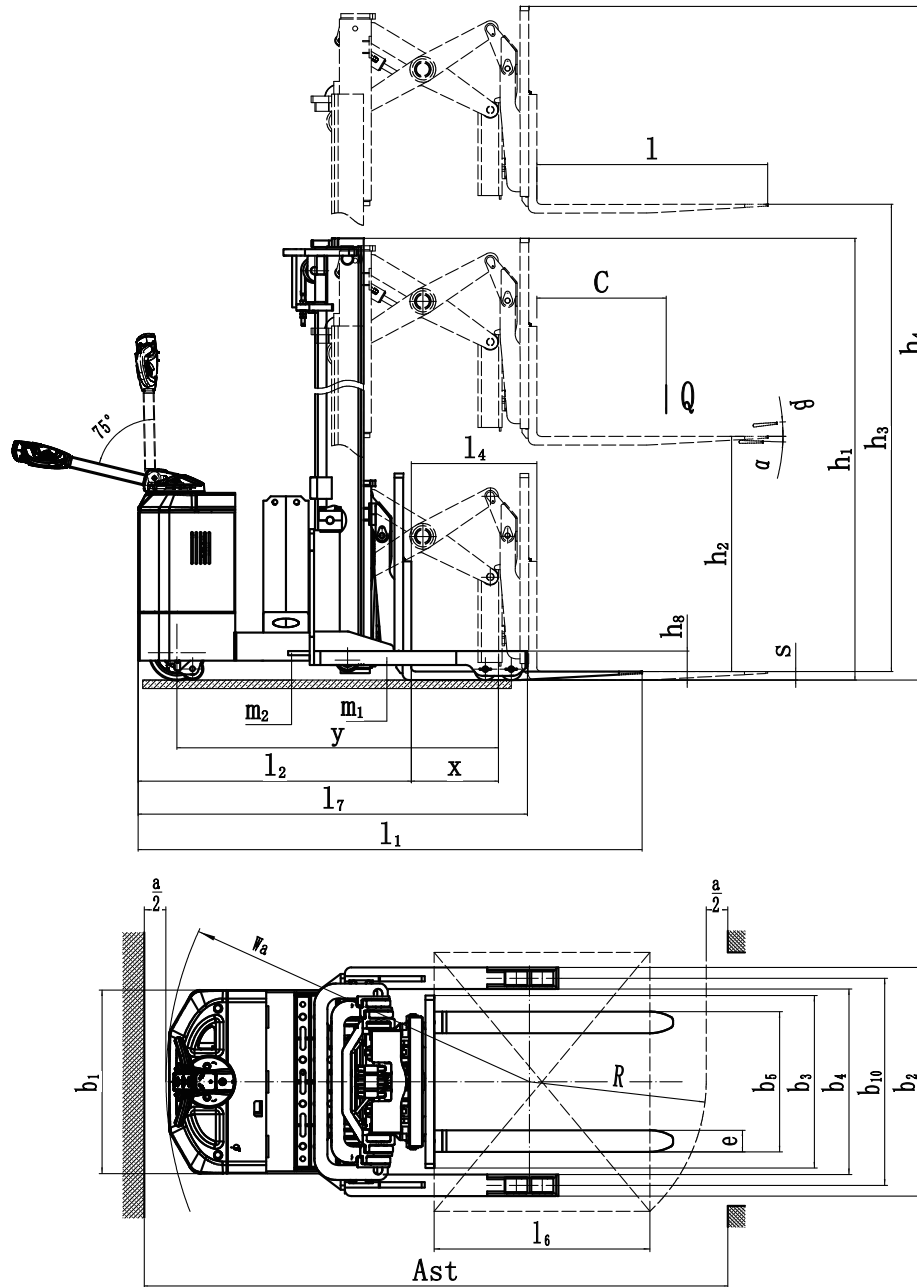
The CQE15S comes standard with power steering, side-shift, tilt and proportional lift, lower, extend, retract.



Electric Performance Walkie Reach Stacker 3,000lbs CQE15S

Distinguishing mark	1.1	Manufacturer				EP		EP		EP
	1.2	Model designation				CQE15S		CQE15S		CQE15S
	1.3	Drive				Electric		Electric		Electric
	1.4	Operator type				Pedestrian		Pedestrian		Pedestrian
	1.5	Base capacity		Q	lb.	3000		3000* Derate over 126"		3000* Derate over 126"
	1.6	Load center distance		c	in.	24		24		24
	1.8	Load distance, center of drive axle to fork		x	in.	16.1		16.1		16.1
	1.9	Wheelbase		y	in.	54.9		54.9		54.9
	Service weight	2.1	Service weight				4090		4530	
2.3.1		Axle loading, unloaded front/rear				-		-		-
Tires/chassis	3.1	Tire type				Polyurethane		Polyurethane		Polyurethane
	3.2.1	Tire size, front			in.	Φ10×4		Φ10×4		Φ10×4
	3.3.1	Tire size, rear			in.	Φ4×2.75		Φ4×2.75		Φ4×2.75
	3.4	Additional wheels (castor wheels)			in.	-		-		-
	3.5.1	Wheels, number front/rear (x=drive wheels)			in.	1×/4		1×/4		1×/4
	3.6.1	Tread width, front		b ₁₀	in.	-		-		-
	3.7.1	Tread width, rear		b ₁₁	in.	38/46		38/46		46
Dimensions	4.1	Tilt of mast/fork carriage forward/backward		α/β	°	2/4		2/4		2/4
	4.2	Collapsed Height		h ₁	in.	83		77.5		88.3
	4.3	Free lift		h ₂	in.	6		39		41
	4.4	Maximum fork height		h ₃	in.	126		157		189
	4.5	Height, mast extended with Std. LBR		h ₄	in.	162.8		195.25		227
	4.10	Height of wheel arms		h ₈	in.	5.3		5.3		5.3
	4.19	Overall length		l ₁	in.	88.6		88.6		88.6
	4.20	Length to face of forks		l ₂	in.	46.6		46.6		46.6
	4.21	Overall width		b ₁ /b ₂	in.	42/50		50		50
	4.22	Fork dimensions		s×e×l	in.	1.5×4×42		1.5×4×42		1.5×4×42
	4.23	A,B Fork carriage class/type A, B				2A		2A		2A
	4.24	Fork carriage width		b ₃	in.	31.5		31.5		31.5
	4.25	Fork spread		b ₅	in.	7.8-28		7.8-28		7.8-28
	4.26	Distance between wheel arms/loading		b ₄	in.	34/42		34/42		42
	4.28	Reach distance		l ₄	in.	23		23		23
	4.31	Ground clearance, laden, below mast		m ₁	in.	2.75		2.75		2.75
	4.32	Ground clearance, center of wheelbase		m ₂	in.	3.5		3.5		3.5
4.34.1	Right Angle Stack (x +wa)		Ast	in.	78.7		78.7		78.7	
4.34.2	Minimum Aisle Width <small>(Right Angle Stack + Load Length + Clearance)</small>		Ast	in.	138.7		105.9		105.9	
4.35	Turning radius		Wa	in.	62.6		62.6		62.6	
4.37	Length across wheel arms		l ₇	in.	67.3		67.3		67.3	
Performance data	5.1	Travel speed, loaded/unloaded			mph	3.1/3.4		3.1/3.4		3.1/3.4
	5.2	Lifting speed, loaded/unloaded			fpm	20/26		20/26		20/26
	5.3	Lowering speed, loaded/unloaded			fpm	52/33		52/33		52/33
	5.4	Reaching speed, loaded/unloaded			fpm	15.75		15.75		15.75
	5.8	Max. gradeability, loaded/unloaded			%	6/10		6/10		6/10
	5.10	Service brake				Electromagnetic		Electromagnetic		Electromagnetic
5.11	Parking brake				Electromagnetic		Electromagnetic		Electromagnetic	
Electric-engine	6.1	Drive motor rating S2 60 min			kW	4.4		4.4		4.4
	6.2	Lift motor rating at S3 15%			kW	5.4		5.4		5.4
	6.4	Battery voltage/nominal capacity			V/Ah	24V/170Ah,24V/205Ah Li-ion 24V/224Ah AGM 24V/255Ah,24V/510Ah Lead acid		24V/170Ah,24V/205Ah Li-ion 24V/224Ah AGM 24V/255Ah,24V/510Ah Lead acid		24V/510Ah Lead acid
	6.5	Minimum battery weight			lb.	340		550		1020
Additional data	8.1	Type of drive control				AC		AC		AC
	10.5	Steering design				Electric		Electric		Electric
	10.7	Sound pressure level at the driver's ear			dB(A)	74		74		74
	15.1	Charger output current			A	25, 27, 75, 80		25, 27, 75, 80		25, 27, 75, 80

If there are improvements of technical parameters or configurations, no further notice will be given.
The diagram shown may contain non-standard configurations.
Minimum Aisle Width uses 48" for load length and 12" for Clearance.



Mast Options

Mast types	Lift height (h3)	Height, Mast			Height, Free lift(h2)	
		Height, mast lowered(h1)	Height, mast extended(h4)		No backrest	With backrest
			No backrest	With backrest		
	in.	in.	in.	in.	in.	in.
2-Standard Mast	126.0	82.7	162.8	—	—	6.3
3-Free Mast	157.5	77.2	195.1	—	—	39.4
	189.0	87.8	226.8	—	—	50.0