

Electric Straddle Stacker Lift Heights 62" - 96" - 116" ES10-22MM ES10-22DM



- 24V AGM Batteries and onboard charger
- Offset tiller handle provides excellent line of sight for operators
- adjustable base legs in 4" increments
- Variety of lift heights up to 116"

Manufacturer			EP	EP	EP
Model designation			ES10-22MM	ES10-22DM	ES10-22DM
Drive			Electric	Electric	Electric
Load capacity	Q	lb.	2200	2200	2200
Load center distance	c	in.	24	24	24
Service weight		lb.	1200	1450	1500
Retracted mast height	h1	in.	76.5	72.5	82.5
Lift height	h3	in.	62	96	116
Length to face of forks	l2	in.	20	23.5	23.5
Overall width	b1/b2	in.	44.7/48.6/52.5/56.5	44.7/48.6/52.5/56.5	44.7/48.6/52.5/56.5
Fork dimensions	s/e/l	in.	1.5x4x42	1.5x4x42	1.5x4x42
Turning radius	Wa	in.	55.3	55.3	55.3
Max. gradeability, laden/unladen		%	3/10	3/10	3/10
Travel speed, laden/unladen		mph	2.5/3.1	2.5/3.1	2.5/3.1
Lifting speed, laden/unladen		fpm	24/43	24/43	24/43
Lowering speed, laden/unladen		fpm	24/22	24/22	24/22
Battery voltage/nominal capacity		V/Ah	24V/85Ah	24V/85Ah	24V/85Ah

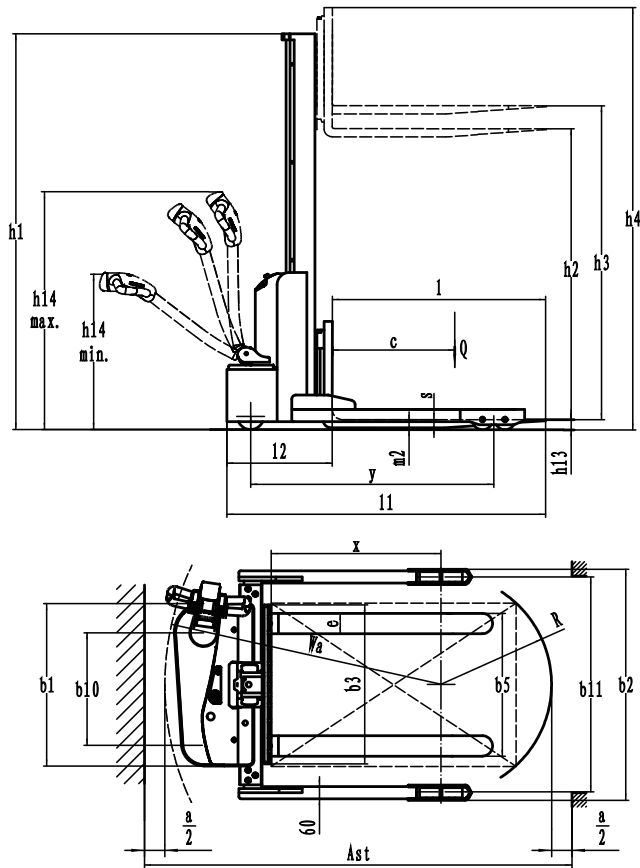
Electric Straddle Stacker

ES10-22MM / ES10-22DM

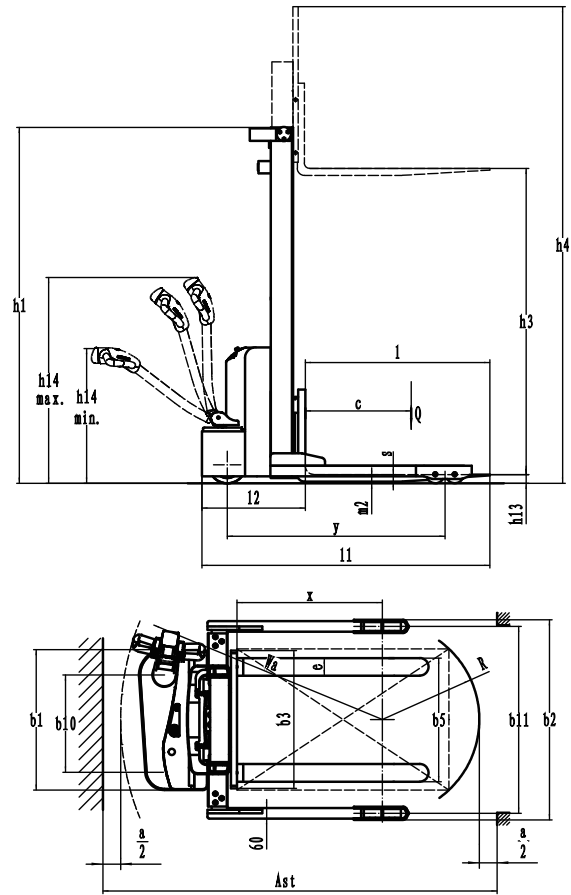
Distinguishing mark	1.1	Manufacturer			EP	EP	EP
	1.2	Model designation			ES10-22MM	ES10-22DM	ES10-22DM
	1.3	Drive			Electric	Electric	Electric
	1.4	Operator type			Standing	Standing	Standing
	1.5	Load capacity	Q	lb.	2200	2200	2200
	1.6	Load center distance	c	in.	24	24	24
	1.8	Load distance, center of drive axle to fork	x	in.	33.46	33.27	33.27
	1.9	Wheelbase	y	in.	47.6	50.79	50.79
Service weight	2.1	Service weight		lb.	1200	1450	1500
	2.2	Axle loading, laden front/rear		lb.	1502/1892	1619/2026	1669/2026
	2.3	Axle loading, unladen front/rear		lb.	924/270	1160/280	1210/280
Tires/chassis	3.1	Tire type			Polyurethane	Polyurethane	Polyurethane
	3.2	Tire size, front			8.3x2.8	8.3x2.8	8.3x2.8
	3.3	Tire size, rear			4x2	4x2	4x2
	3.4	Additional wheels (castor wheels)		in.	4x2	4x2	4x2
	3.5	Wheels, number front/rear (x=drive wheels)		in.	1x, 1/4	1x, 1/4	1x, 1/4
	3.6.1	Tread width, front	b ₁₀	in.	21	21	21
	3.7.1	Tread width, rear	b ₁₁	in.	41.7/45.7/49.6/53.5	41.7/45.7/49.6/53.5	41.7/45.7/49.6/53.5
Dimensions	4.0	Max. Lift Height	H	in.	62	96	116
	4.2	Retracted mast height	h ₁	in.	76.5	72.5	82.5
	4.3	Free lift	h ₂	in.	56	0	0
	4.4	Lift height	h ₃	in.	62	96	116
	4.5	Height, mast extended	h ₄	in.	98.3	132	153
	4.9	Height of tiller handle in drive position min./max.	h ₁₄	in.	33.9/47.3	33.9/47.3	33.9/47.3
	4.10	Height of wheel arms	h ₈	in.	4	4	4
	4.15	Lowered height	h ₁₃	in.	2.4	2.4	2.4
	4.19	Overall length	l ₁	in.	62	65.5	65.5
	4.20	Length to face of forks	l ₂	in.	20	23.5	23.5
	4.21	Overall width	b ₁ /b ₂	in.	44.7/48.6/52.5/56.5	44.7/48.6/52.5/56.5	44.7/48.6/52.5/56.5
	4.22	Fork dimensions	s×e×l	in.	1.5x4x42	1.5x4x42	1.5x4x42
	4.24	Fork carriage width	b ₃	in.	30.7	30.7	30.7
	4.25	Fork spread	b ₅	in.	8-30	8-30	8-30
	Performance data	4.26	Distance between wheel arms/loading surfaces	b ₄	in.	38/42/46/50	38/42/46/50
4.31		Ground clearance, laden, below mast	m ₁	in.	1.18	1.18	1.18
4.32		Ground clearance, center of wheelbase	m ₂	in.	1.57	1.57	1.57
4.35		Turning radius	Wa	in.	55.3	55.3	55.3
5.1		Travel speed, laden/unladen		mph	2.5/3.1	2.5/3.1	2.5/3.1
5.2		Lifting speed, laden/unladen		fpm	24/43	24/43	24/43
5.3		Lowering speed, laden/unladen		fpm	24/22	24/22	24/22
5.8		Max. gradeability, laden/unladen		%	3/10	3/10	3/10
5.10		Service brake			Electromagnetic	Electromagnetic	Electromagnetic
6.1		Drive motor rating S2 60 min		HP	0.87	0.87	0.87
Electric-engine	6.2	Lift motor rating at S3 15%		HP	2.95	2.95	2.95
	6.4	Battery voltage/nominal capacity		V/Ah	24V/85Ah	24V/85Ah	24V/85Ah
	6.5	Battery weight		lb.	95	95	95
	8.1	Type of drive control			DC	DC	DC
Additional data	10.5	Steering design			Mechanical	Mechanical	Mechanical
	10.7	Sound pressure level at the driver's ear		dB(A)	74	74	74
	15.1	Charger output current		A	15	15	15

If there are improvements of technical parameters or configurations, no further notice will be given.
The diagram shown may contain non-standard configurations.

ES10-22MM



ES10-22DM



Mast Options

ES10-22MM

Mast types	Maximum Fork Height h3+h13 (in)	Collapsed Height h1 (in)	Free lift h2 (in)	Extended Height h4 (in)
Mono mast	62	76.5	—	98.3

ES10-22DM

Mast types	Maximum Fork Height h3+h13 (in)	Collapsed Height h1 (in)	Free lift h2 (in)	Extended Height h4 (in)
2-Standard Mast	96	72.5	—	132
	116	82.5	—	153