



# ePicker

PICKING UP WHERE OTHERS LEAVE OFF



# WALKIE STRADDLE STACKER

## ES10-62 / 96 / 116

**CAPACITY** 2200 lbs. @ 24" Load Center

**INTEGRAL BATTERY CHARGER** (2) 12V 85AH maintenance free batteries, with 110VAC smart charger @15A

### PERFORMANCE

#### TRAVEL

Variable from 0 mph to 3.4 mph empty  
Variable from 0 mph to 2.5 mph loaded

#### LIFT

Up to 39 fpm empty. Up to 20 fpm loaded

#### LOWERING

Up to 21 fpm empty. Up to 21 fpm loaded

### TIRES/WHEELS

#### DRIVE

8.3" x 2.8" polyurethane

#### STABILITY

4" x 2" polyurethane

#### TANDEM LOAD

(2) 4" x 2" polyurethane

### HYDRAULICS

Lift cylinder is hard chrome. Permanent magnet pump motor and chrome plated lift cylinder provides smooth lifting and lowering. Pump unit includes DC motor, solenoid, and gear pump.

### DRIVE

24-Volt permanent magnet DC drive motor with rare earth neodymium magnets increases efficiency and duty cycle.

### ELECTRICAL

Curtis travel control provides smooth step less travel. Quick disconnect EPD power cut off and battery discharge indicator are standard equipment.

### BRAKES

Electro-magnetic disc brakes.

### SERVICEABILITY

Removable one piece power head cover allows for easy maintenance.

### TILLER ARM CONTROL

Offset steering arm provides excellent line of sight for operators. Right angle stacking in aisles as narrow as 60".

Travel, lift, and lower functions are located in the ergonomic operator handle. All operator controls are accessible without having to lift the hand from the handle.

Angle grips are designed to allow easy operation with either hand. Wrap around guard, reversing switch, thumb control, and horn are standard. Low mounted tiller arm offers excellent operator comfort and minimum steering effort.

### FRAME AND STRADDLE LEGS

All steel construction welded rigid steel chassis for added durability. Adjustable forks on ITA style carriage. Forks are adjustable from 8" to 29.5" OD. Standard fork is 42" long x 4" wide x 1.5" thick

Three inch wide adjustable straddle legs for ease of operation in racked aisles. Four position adjustment allows for preset outrigger dimensions to fit various sized pallets. Straddle leg inside dimension (ID) can be set at 38" to 50" in 4" increments.

Fully enclosed wheel guard and flush mounted axles prevent wheel and axle damage during normal use.

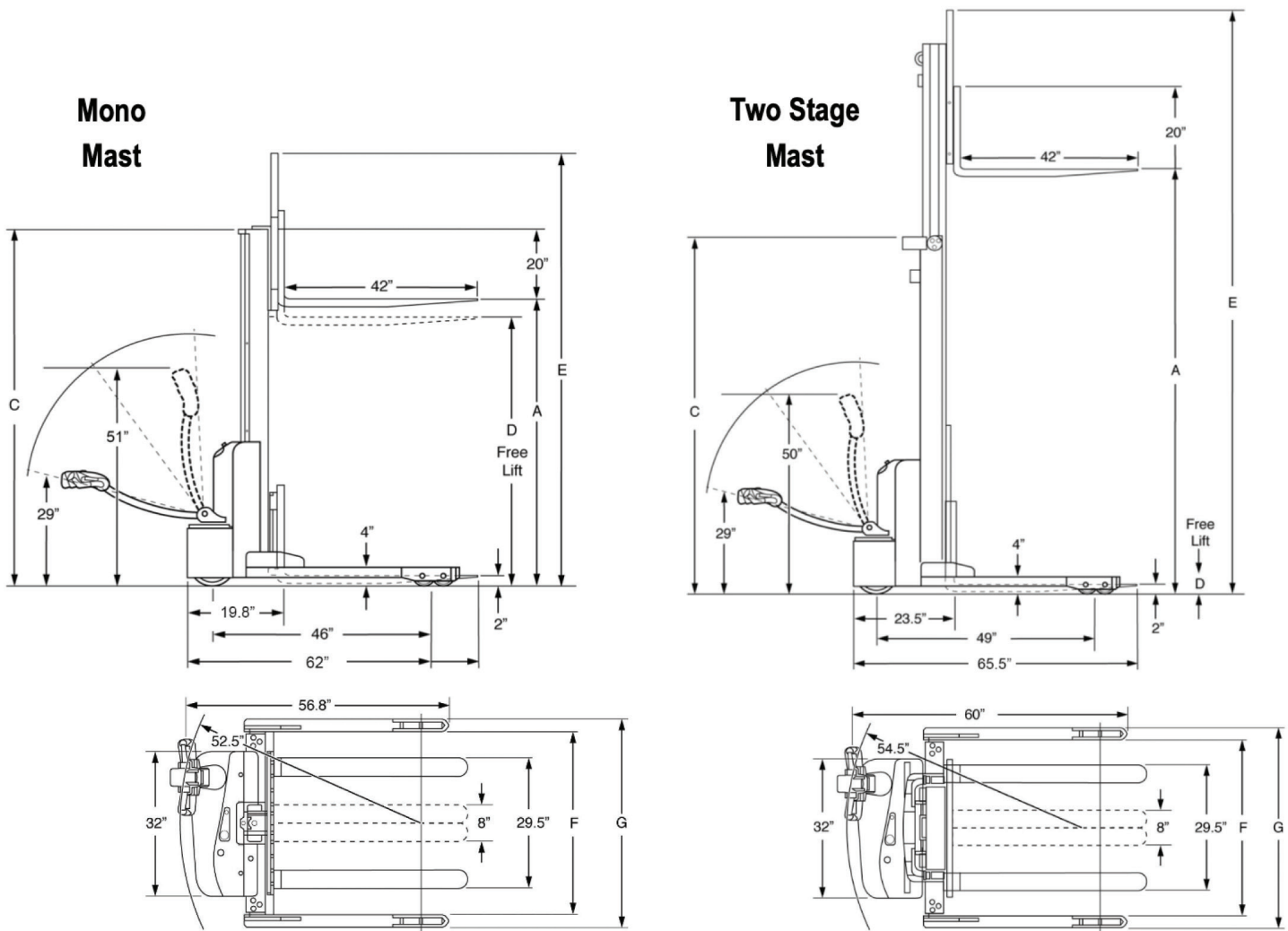
### MAST

ES10-62 has a non-telescoping mono mast with single lifting chain and adjustable mast rollers. Chrome plated lift cylinder provides smooth lift/lower operation and long life.

ES10-96/116 have a telescoping high visibility mast and inner rail, clear view Plexiglas mast guard, dual-lifting chains, adjustable mast rollers. Chrome plated lift cylinder provides smooth lift/lower operation.

### OPTIONAL EQUIPMENT

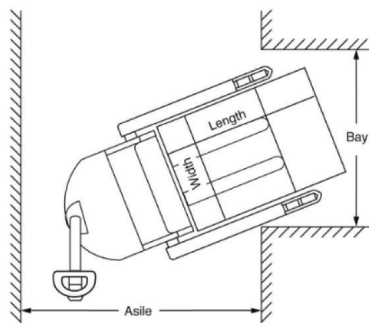
- (2) 12V 85AH maintenance free batteries available



## Aisle Guide

ES10-62 — Right Angle Stacking

LOAD WIDTH	LOAD LENGTH		
	36"	40"	48"
36"	57.3	57.3	57.3
40"	57.5	58.6	58.6
48"	63	63	63



Aisle dimensions listed above assume the minimum bay width to be straddle OD plus 5" (2.5" on each either side of straddle leg). Straddle OD is the load width plus 8". Truck performance may vary due to application requirements' and changes in model design.

Add 3.9 to aisle for models ES10-96 and ES10-116 with two stage telescopic masts.

For ease of use add 8" to aisle dimension listed

MODEL#	MAST	LIFT HEIGHT	COLUMN HEIGHT	FREE LIFT	EXT HEIGHT w/ LBR	ADJUSTABLE STRADDLE LEG 4" INCREMENTS		WEIGHT COMPLETE <sup>3</sup>
		A	C	D	E	ID	OD	

2200 lbs. Capacity @ 24" Load Center ITA Class II Fork Carriage

ES10-62	Mono	62	76.5	56	98.25	38-50	44-56	1200 lbs.
ES10-96	Two Stage	96	72.5	132	132.0	38-50	44-56	1450 lbs.
ES10-116	Two Stage	116	82.5	0	152.0	38-50	44-56	1500 lbs.

<sup>3</sup> Complete weight includes truck, battery and charger