

SIMPLIFIED STACKING



 **TORA-MAX**

WALKIE STACKER



TORA-MAX

TA0735
US 1883
12/1

Q492

Q492

Q492

Q492

Q492

Q492

Q492

Q492

Q492

Q492

Q492

Q492

Q492

Q492

Q492

Q492

Q492

Q492

Q492

Q492

Q492

VERSATILE STACKER

You need versatility, accessibility, and load stability to keep your operation moving. The Tora-Max Walkie Stacker gets the job done with ease. With a 2,600 lb. capacity and a 24V lithium-ion battery with a built-in charger, the Tora-Max Walkie Stacker meets and exceeds indoor efficiency expectations.

Versatile enough to handle light-duty applications, this walkie stacker possesses excellent maneuverability. Adjustable baselegs provide additional stability for those with a wide variety of load sizes. Pinwheel capability grants optimal control in tight spaces where the handle cannot be fully extended, making it easier to navigate narrow aisles.



MOVING YOU FORWARD

You don't have time to wait, and with the Tora-Max Walkie Stacker, you won't have to. A built-in lithium-ion battery and regenerative braking keep your operation running efficiently. And when the time comes for a recharge, a built-in charger allows for easy, accessible charging. That's the simplicity of Tora-Max.

LITHIUM-ION BATTERY

2600 LBS.
CAPACITY



ADVANTAGES OF THE TORA-MAX

Keeping up with operational demands requires speed, reliability, and efficiency. The Tora-Max Walkie Stacker excels at all three, so you can stay on the move.

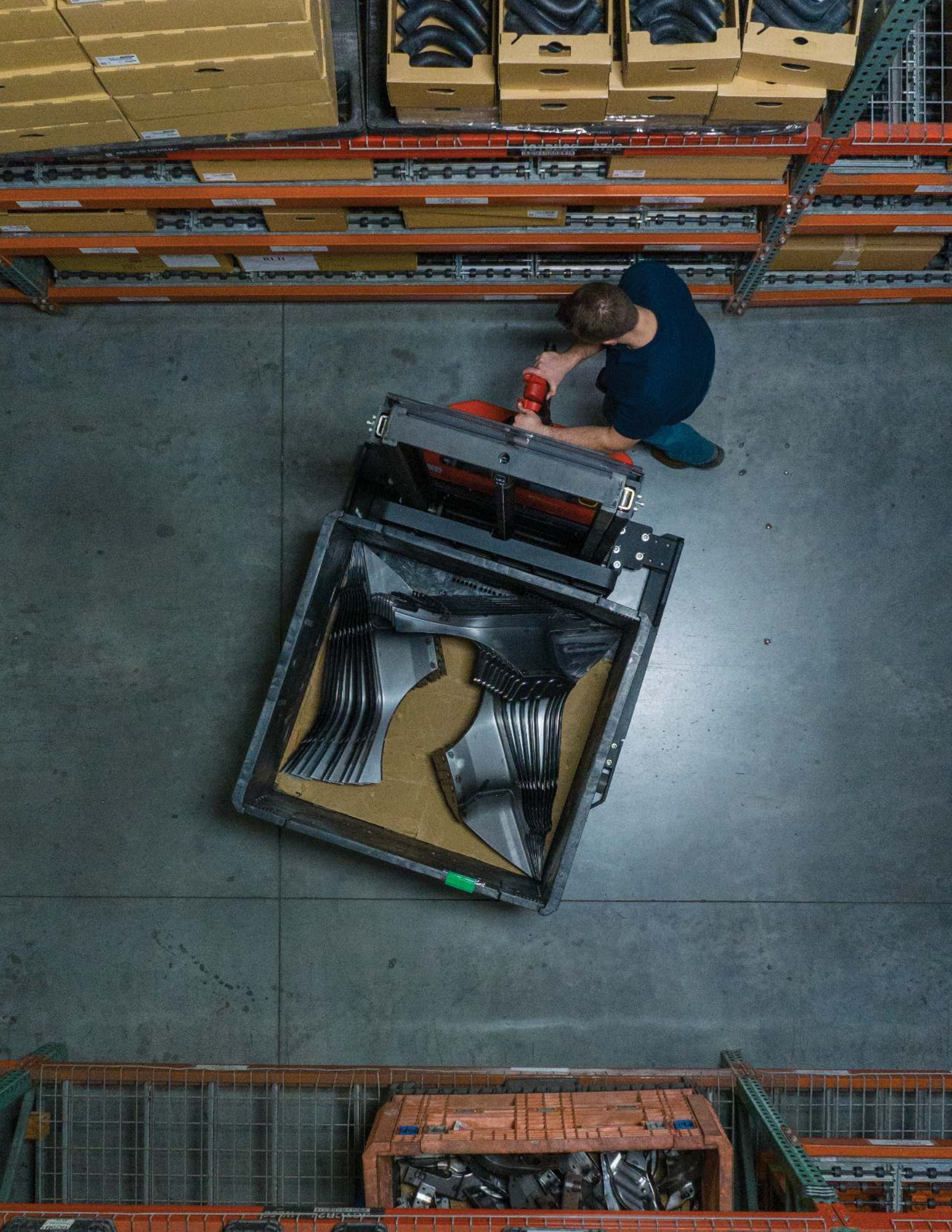
- **24V LITHIUM-ION BATTERY** provides reliable performance and fast charging times
- **ELECTRIC LIFT / LOWER CONTROLS** provide smooth control of forks and load while maintaining ergonomic operation
- **PINCODE ACCESS PANEL / RFID CARD ACCESS** utilizes large display buttons or an RFID tag and reduce the likelihood of unauthorized use
- **LCD BATTERY DISCHARGE INDICATOR WITH HOUR METER** shows battery usage and truck information, such as fault codes and working hours
- **TRAVEL SPEED LIMITING SWITCH** limits travel speed based on the elevated fork height
- **ADJUSTABLE BASELEGS** provide optimal stability for various load sizes



ACCESSIBILITY WITHIN REACH

The Tora-Max Walkie Stacker navigates tight aisles and compact spaces while providing optimal comfort and control. Any move you need to make can be done at the touch of a button. You can lift and lower the load in just a few movements using the electric lift and lower controls. Ergonomically angled hand grips, fingertip controls, and directional thumb wheels allow for easy operation without losing productivity.

User access control via the built-in pincode or RFID tag access features helps reduce the likelihood of unauthorized use. The LCD battery discharge indicator keeps you informed of battery usage and shows key information like fault codes and working hours, keeping you running at peak performance.





TORA-MAX



WARNING: Forklift operation requires training and certification. See operator manual for safety instructions.

WARNING: Do not operate this machine if you are under the influence of alcohol or drugs. Do not operate if you are tired or distracted. Always wear your seat belt and use proper lifting techniques.

CAPACITY 2600 LBS	BATTERY TYPE LITHIUM-ION	MAXIMUM FORK HEIGHT 140.3 IN
-----------------------------	------------------------------------	--

INDUSTRIES



General Manufacturing



Beverage



Warehousing



Distribution



Retail

STANDARD EQUIPMENT

PERFORMANCE

- 24 Volt Electrical System
- DC Drive Motor
- Regenerative Braking
- Electric Lift and Lower
- Contactor-less Drive Controls
- Anti-roll Back System
- Fused Control and Power Circuits
- High Ground Clearance

OPERABILITY & ERGONOMICS

- Multifunction Control Handle with Ergonomically Angled Hand Grips
- Fingertip Control of All Functions
- Directional Thumb Wheels
- Pneumatic Cylinder Control Handle Return
- Parking Brake Electromagnetic Disc
- Turtle Speed Button
- “Pinwheel” Capability
- LCD Battery Discharge Indicator with Hour Meter

BODY / EXTERIOR DESIGN

- Polyurethane Drive Tire
- Polyurethane Load Wheels
- Built-in Battery Charger
- 24V Lithium-Ion Battery
- RFID Tag / Pincode Access
- 45” Forks
- 42” Load Backrest
- Plexiglass Screen Guard
- Adjustable Baselegs

OPTIONAL EQUIPMENT

- French Language Label Kit

Please contact your local, authorized Toyota Dealer for a complete list of available options.

GENERAL DATA			2TSB26	
Load Capacity	lb (kg)		2600 (1200)	
Power Type	Lithium-Ion Battery			
Operator Position	Walkie			
Tire Type	Drive / Load		Polyurethane	
Wheels	Drive/Caster/Load		1 Drive / 2 Casters / 2 Load wheels	
EXTERIOR DIMENSIONS ¹			2TSB26	
A Fork Lowered Height	in (mm)		1.97 (50)	
B Maximum Fork Height	in (mm)		140.3 (3564)	
C Mast Lowered Height	in (mm)		90.16 (2290)	
D Mast Extended Height	in (mm)		175.51 (4458)	
E Fork Size	T x W x L		1.6 x 4 x 45.28 (40 x 100 x 1150)	
F Fork Adjustment	in (mm)		9.9 / 31.5 (252 / 800)	
G Fork Carriage Width	in (mm)		33.27 (845)	
H Baseleg Inside Dimension	Minimum / Maximum		38.62 / 50.43 (981 / 1281)	
I Baseleg Outside Dimension	Minimum / Maximum		46.49 / 58.3 (1181 / 1481)	
J Power Unit Width	in (mm)		31.5 (800)	
K Power Unit Height	in (mm)		29.92 (760)	
L Head Length (Length to Fork Face)	in (mm)		25.2 (640)	
M Truck Length (Length to Tip of Forks)	in (mm)		70.48 (1790)	
N Wheelbase	in (mm)		43.74 (1111)	
O Underclearance Center of Wheelbase	in (mm)		1.6 (40)	
P Turning Radius	in (mm)		52.95 (1345)	
Basic Right-Angle Stacking Aisle Width ³	in (mm)		89.6 (2276)	
Gross Weight without Battery	lb (kg)		1779 (807)	
PERFORMANCE DATA			2TSB26	
Travel Speeds	Full Load	mph (km/h)	2.6 (4.2)	
	No Load	mph (km/h)	2.8 (4.5)	
Lift Speeds	Full Load	ft/s (mm/s)	21.7 (0.11)	
	No Load	ft/s (mm/s)	27.6 (0.14)	
Gradeability	Full Load	%	4	
	No Load	%	10	
Tires	Number	Front / Rear	1/2/2	
	Size (dia. x width)	Drive (front)	in (mm)	8.27 x 2.95 (210 x 75)
		Casters	in (mm)	3.94 x 1.57 (100 x 40)
		Load (rear)	in (mm)	3.31 x 2.76 (84 x 70)
POWER SYSTEM			2TSB26	
Battery (1-hour ratings)	Max. Voltage / Capacity	V / Ah	24 / 60	
	Weight	lb (kg)	37 (17)	
Electric Motors	Drive (60 minutes)	hp (kW/h)	0.87 (0.65)	
	Load Handling	hp (kW/h)	2.95 (2.2)	
Control Type	Drive	DC Control		
	Load Handling	Electromagnetic Contactor		

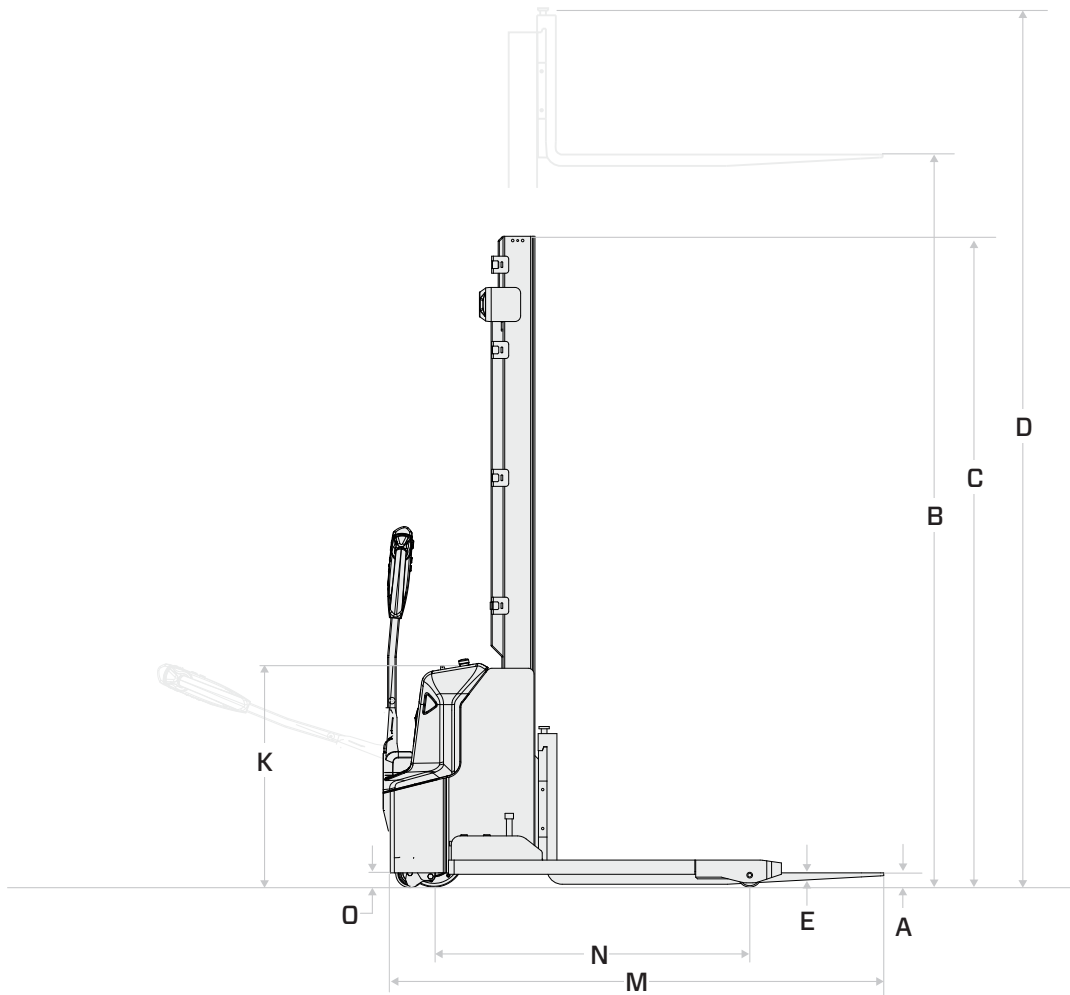
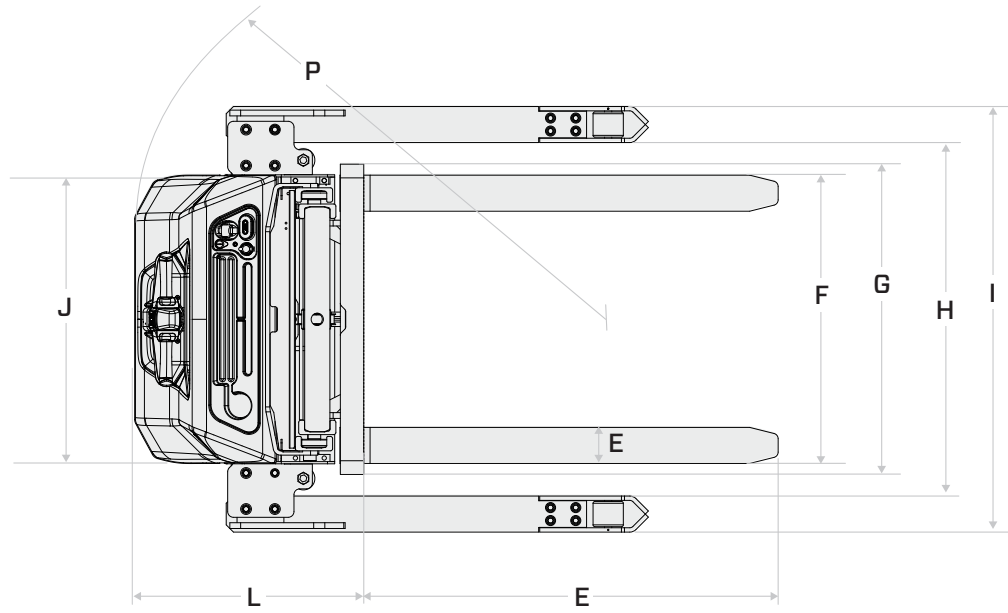
MAST TYPE	MAXIMUM FORK HEIGHT (TOP OF FORKS)	OVERALL HEIGHT		MINIMUM BASELEG INSIDE DIMENSION (I0)	LOAD CAPACITY AT 24 IN. (600 MM) LOAD CENTER	TRUCK WEIGHT WITHOUT BATTERY
		LOWERED	EXTENDED			
			WITH STANDARD LOAD BACKREST			
in (mm)	in (mm)	in (mm)	in (mm)	in (mm)	in (mm)	
SINGLE-STAGE	61.6 (1564)	76.38 (1940)	96.77 (2458)	38.62 (981)	2600 (1200)	1547 (702)
	77.3 (1964)	92.13 (2340)	112.52 (2858)	38.62 (981)	2600 (1200)	1591 (722)
TWO-STAGE	100.9 (2564)	70.47 (1790)	136.14 (3458)	38.62 (981)	2600 (1200)	1690 (767)
	112.8 (2864)	76.38 (1940)	147.95 (3758)	38.62 (981)	2600 (1200)	1712 (777)
	124.6 (3164)	82.28 (2090)	159.76 (4050)	38.62 (981)	2600 (1200)	1735 (787)
	140.3 (3564)	90.16 (2290)	175.51 (4458)	38.62 (981)	2200 (1000)	1779 (807)

¹ All numbers are nominal. For more information please see your dealer.

² Measurement with the handle in the vertical position.

³ Aisle width is calculated using 48" load and 58.5" baseleg outer dimension.

EXTERIOR DIMENSIONS





TORA-MAX

2TSB26COMP
©2023 TORA-MAX

shop.toyotaforklift.com

Some product features described herein are optional. Please consult your dealer for specifications. Details of specifications and equipment are based on information available at time of printing and may change without notice.